



Just Listen.

Phone: 866-787-7881

Fax: 815-364-0242

atsinfo@atsacoustics.com

www.atsacoustics.com

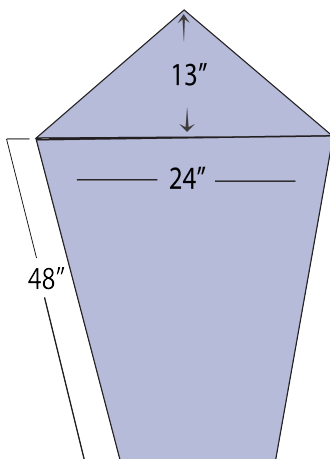
## ATS Acoustic Corner Bass Traps



Corner Bass Traps can be used horizontally or vertically where two walls meet, or where a wall meets a ceiling or a floor. It is also possible to stack two bass traps together in order to reach from floor to ceiling. ATS Corner Bass Traps feature highly effective low frequency absorption.

### Spec and Features

- Corner Trap Dimensions: 24" x 48" x 13"
- Average weight per corner bass trap: 40 lbs
- Core Material is a mixture of Roxul Rockboard 60 and Roxul AFB
- Built to last with an internal wood frame that protects edges and corners from dents and damage
- Available in both our original, microsuede fabric and custom fabrics, which give a wide range of colors and textures to match your style
- Quick easy shipping via UPS Ground
- Quality design and workmanship manufactured in the USA
- Fire rating not currently available. Custom fire-rated fabrics may be used, but fire rating status applies to the fabric only, not the completed product.



### Full-Range Absorption Coefficients

1/3 Octave Band Center Frequencies, Hz							
50	80	125	250	500	1000	2000	4000
0.58	1.78	2.11	1.89	1.69	1.42	1.32	1.20

Data from independent testing of this item by RAL, a leading acoustical laboratory.

### Low-Range Absorption Coefficients

1/3 Octave Band Center Frequencies, Hz							
50	80	125	250	500	1000	2000	4000
1.21	2.40	1.95	1.93	1.51	1.22	0.91	0.77

Data from independent testing of this item by RAL, a leading acoustical laboratory.